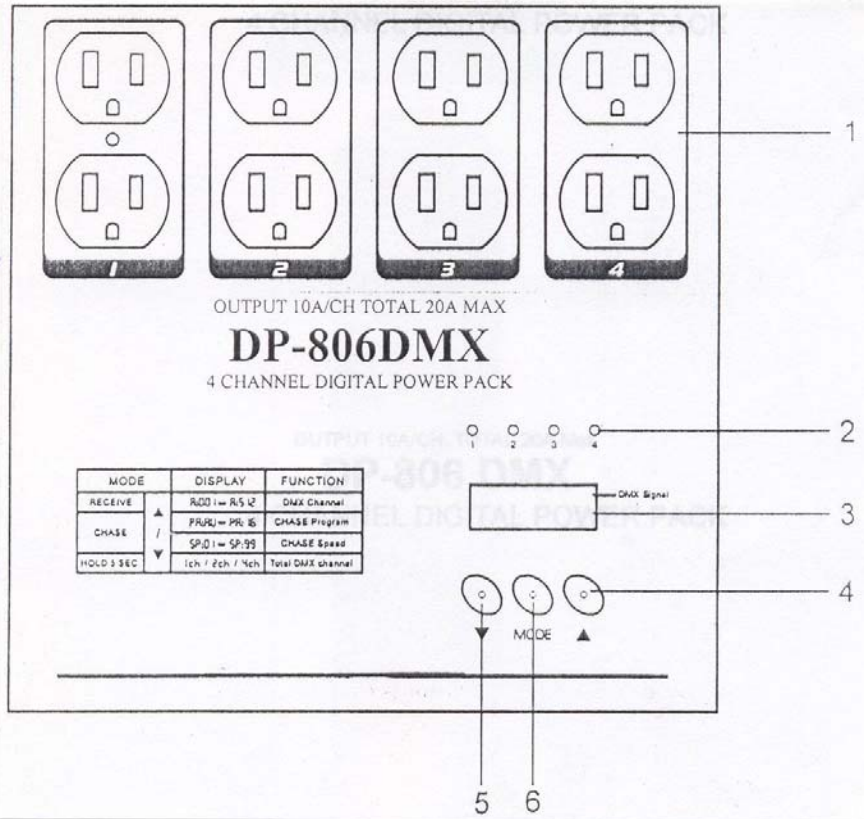


## CONTROLS AND FUNCTIONS (Front Panel)

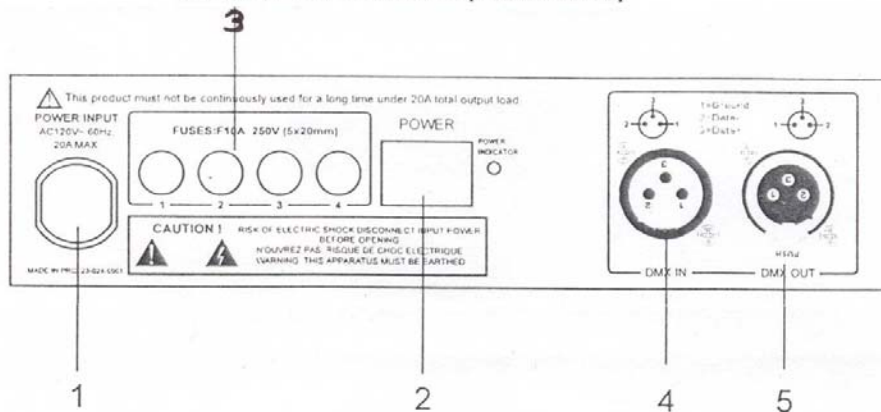
### VEI

### DP-806 DMX



1. **Channel Output** – 10 Amps per channel, 20 Amps total.
2. **LED Indicators** – These LEDs will indicate their relevant channel activity.
3. **Led Display** – This display will show the program activity and function state.
4. **Up Button** – This button is used to advance the selected readings in the menu.
5. **Down Button** – This button is used to descend through the menu selections.
6. **Mode Button** – This button leads to the different function modes: DMX Channel, Chase Program, Chase Speed and total DMX mode.

## Controls & Functions (Rear Panel)



1. **Power Input** - AC 12 V-60Hz, 20 Amps Max.
2. **Power Switch** – This switch turns main power ON & OFF.
3. **Channel Fuses** – Each of the four channels is protected by a 10 Amp fuse. These fuses prevent you from overloading and damaging your **DP806DMX**.
4. **DMX Input** – This connection is used to receive your DMX input signal arising out of a DMX controller.
5. **DMX Output** – This connector is used to send your DMX input signal through to the next DMX device.

**Unpacking:**

Thank you for your purchase of the **DP806DMX** power pack. Every unit has been thoroughly tested and carefully packed before delivery. Unpack the shipping carton carefully; check that your new unit is not damaged. In the event damage has been found or parts are missing, please do not use and contact your authorized dealer immediately.

**Introduction:**

This unit is a four-channel DMX power pack. It can be used as a four-channel stand-alone chaser, and can also be controlled by any DMX controller. This power pack has a built in memory to save and retain your data in case the unit's power is accidentally disconnected.

To optimize the performance of this product, please read these operating instructions carefully to familiarize yourself with it's basic operations.

**Warning!**

This product is grounded. Do not spill water or any other liquids into or on your DP806DMX. To prevent or reduce the risk of electrical shock or fire, do not expose this unit to rain or moisture.

**Caution!**

There are no user serviceable parts inside. Do not attempt any repairs yourself. Should you experience any problems during use, contact your local dealer immediately. Do not discard the shipping carton. Please recycle whenever possible.

**Fuse Replacement:**

Disconnect the unit's main power. Insert a standard flathead screwdriver into the fuse holder housing. Turn the screwdriver in a counterclockwise direction to release the fuse holder. Remove the old fuse and replace it with the same type of fuse. Insert the fuse holder back into its housing and turn in a clockwise direction to lock the holder in place.

## Set Up:

### Power Supply

Before plugging in your DP806DMX, be sure the source voltage in your area matches the required voltage marked on your unit.

Do not attempt to operate this unit if the power cord has been frayed or broken.

### DMX Cable Requirements

This unit and your DMX controller require a standard 3-pin XLR connector for DMX input and DMX output (figure 1). If you are making your own cables be sure to use standard two conductor shielded cables. (This cable may be purchased at most pro sound and lighting stores). Your cable should be made with a male and female XLR connector on either end of the cable.

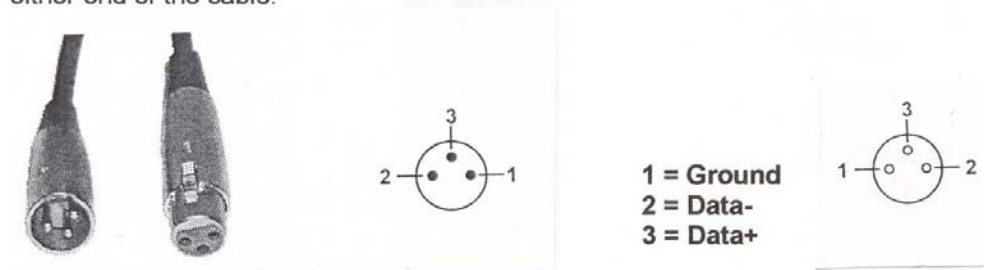


Figure 1

### **Operating Instructions:**

This DP-806DMX has two different operating modes: Chase and DMX modes. In Chase mode, this unit serves as a 4 channel stand alone chaser. In DMX mode, this unit can be used as a 1, 2, or 4 channel DMX pack.

### **Chase Mode:**

This mode allows you to select any of 16 built-in-programs or a sequence of 16 programs to chase at the speed which is subject to your adjustments.

### **Select your desired program**

Pressing and releasing the MODE button quickly allows you to change between DMX address, Chase program and Chase speed settings. Chase programs are indicated by "PA" followed by "AU" or two numbers 01-16 displayed in the LED display. While in Chase program setting, you may use the UP and DOWN buttons to select any of the built in programs to run at a single time, or you may select "AU" which will run a sequence of 16 programs.

### **Select your desired chase speed**

Use the MODE button to access the Chase speed setting which is indicated by "SP" followed by two numbers 01-99 displayed in the LED display. Then use UP & DOWN to select your desired chase speed. A value of 99 will give you the fastest chase speed. A value of 01 represents the slowest chase speed.

### **DMX Mode:**

The LED in the display near the "DMX signal" is lit indicating that the DMX mode is activated. This mode allows you to change the starting DMX address (DMX channel on the controller), and to set your power pack to function as a 1, 2, or 4 channel DMX pack.

### **DMX address settings:**

Use the MODE button to access DMX address settings which is indicated by an "A" followed by three numbers 001-512 shown in the LED display. Remember, the DMX address refers to the starting DMX channel on the controller.

### **Total DMX channel setting:**

This setting allows you to set your power pack to function as a 1, 2, or 4 channel DMX pack. Press and hold down the MODE button for five seconds to access this setting. "CH" followed by 01, 02, or 04 will appear in the LED display. To change this setting, please follow these procedures.

1. If you want to control an overall 4 channel output by one DMX channel, use UP or DOWN to select value 01.
2. If you want to control group channels 1 & 2 and group channels 3 & 4, use UP or DOWN to select value 02. The first group will be controlled by another DMX channel.
3. If you want to control each individual channel by one channel, use UP or DOWN to select value 04.
4. Every unit has been preset to the factory default setting before shipment.

**Specifications:**

<b>Power Input:</b>	<b>AC 120V-50/60 Hz, 20A.</b>
<b>Channel Input:</b>	<b>10A per channel, total 20A.</b>
<b>Power Output:</b>	<b>Two three-prong Edison sockets per channel, total 8 output sockets.</b>
<b>DMX In/Out:</b>	<b>3 pin XLR sockets (male and female).</b>
<b>Channel Fuses:</b>	<b>F10A 250V 5X20 mm per channel.</b>
<b>Size:</b>	<b>10.25" L x 8.25" W x 2.25" H.</b>
<b>Weight:</b>	<b>6 lbs.</b>

**Specifications and improvements in the design of this unit and this manual are subject to change without prior notice.**

**Visual Effects, Inc.  
3946 Merritt Avenue  
Bronx, NY 10466  
(718) 324-0011  
Fax: (718) 324-0300  
[www.visualeffectsinc.com](http://www.visualeffectsinc.com)**